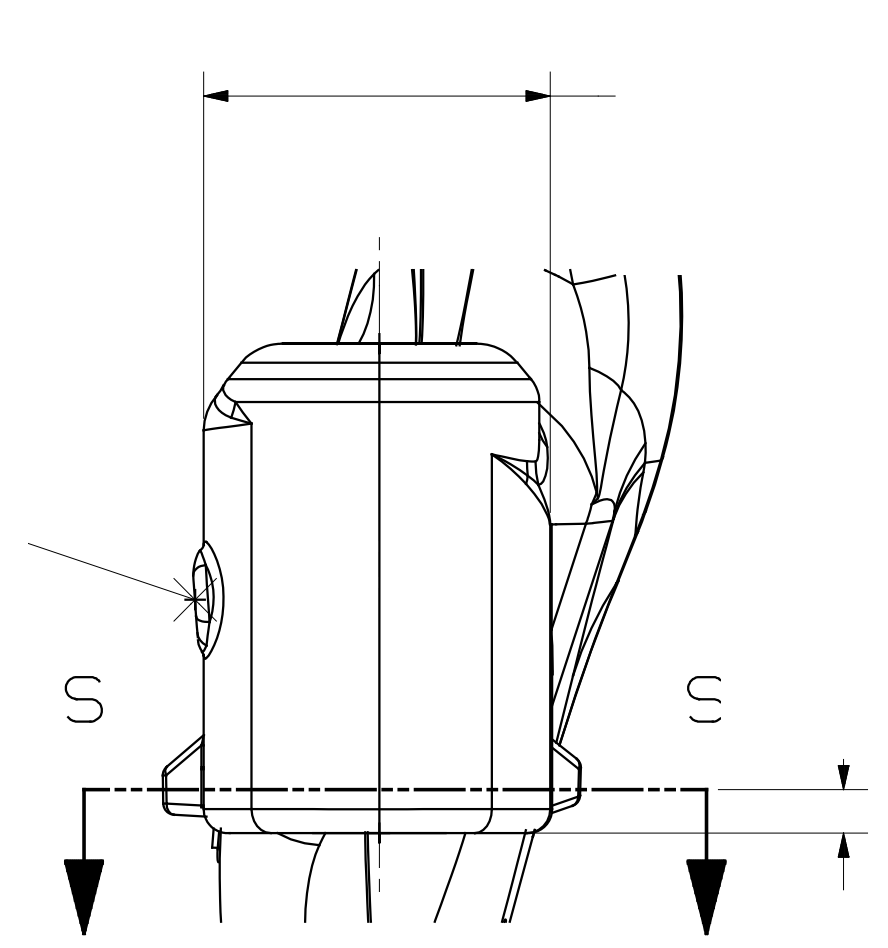
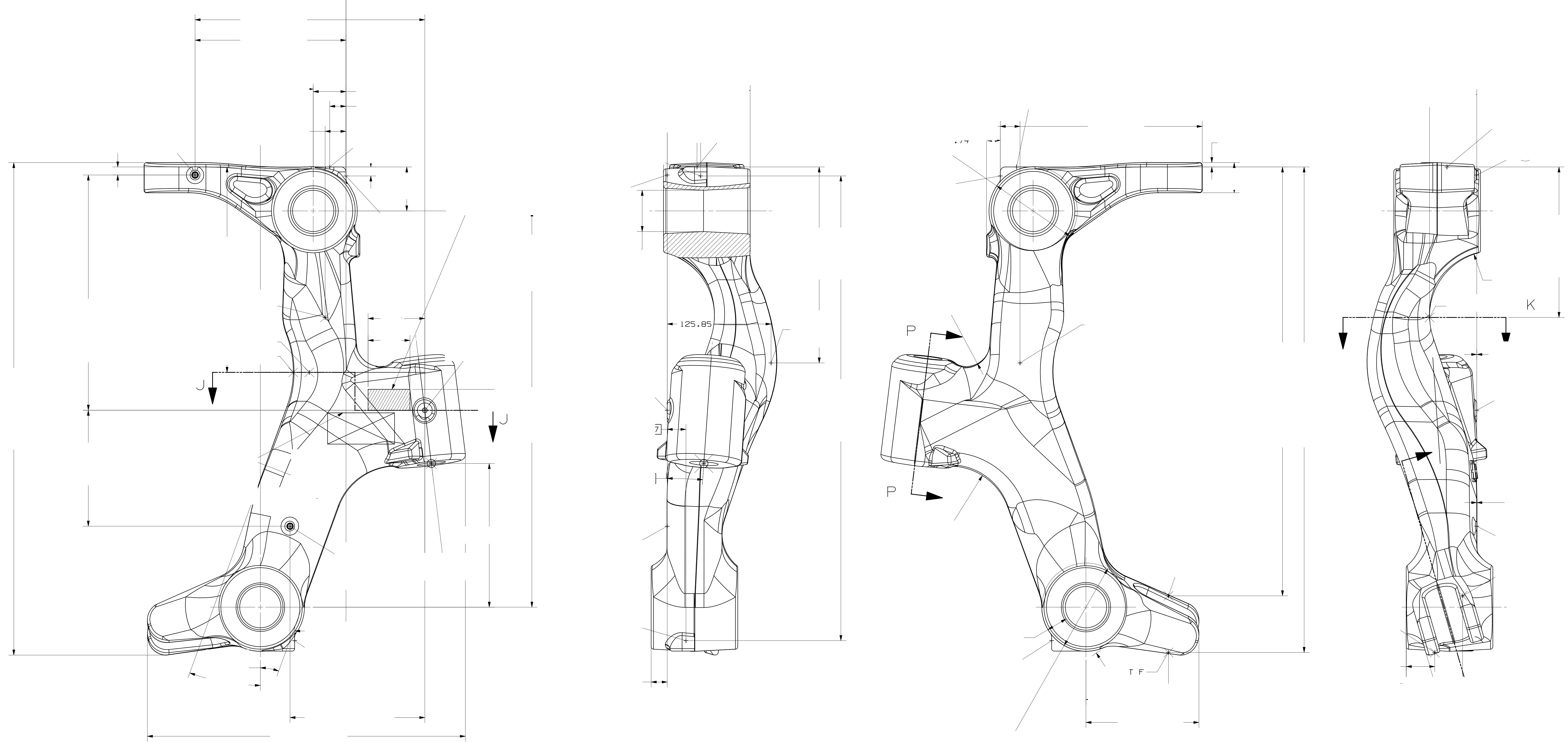
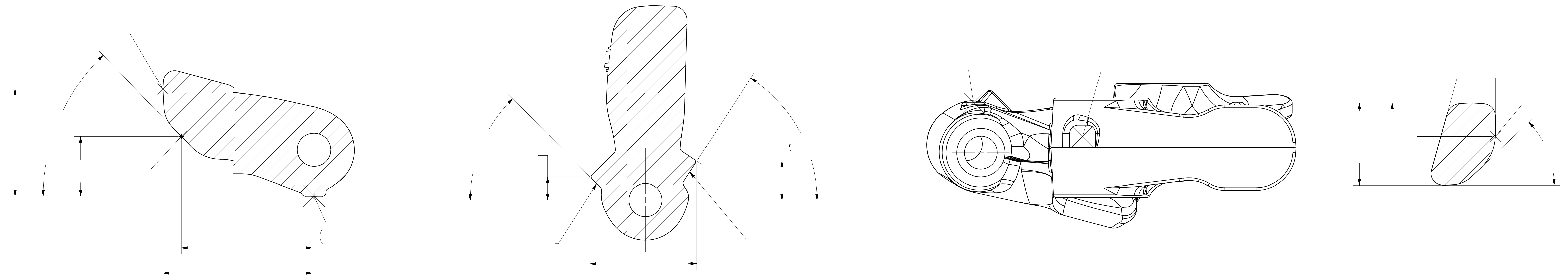
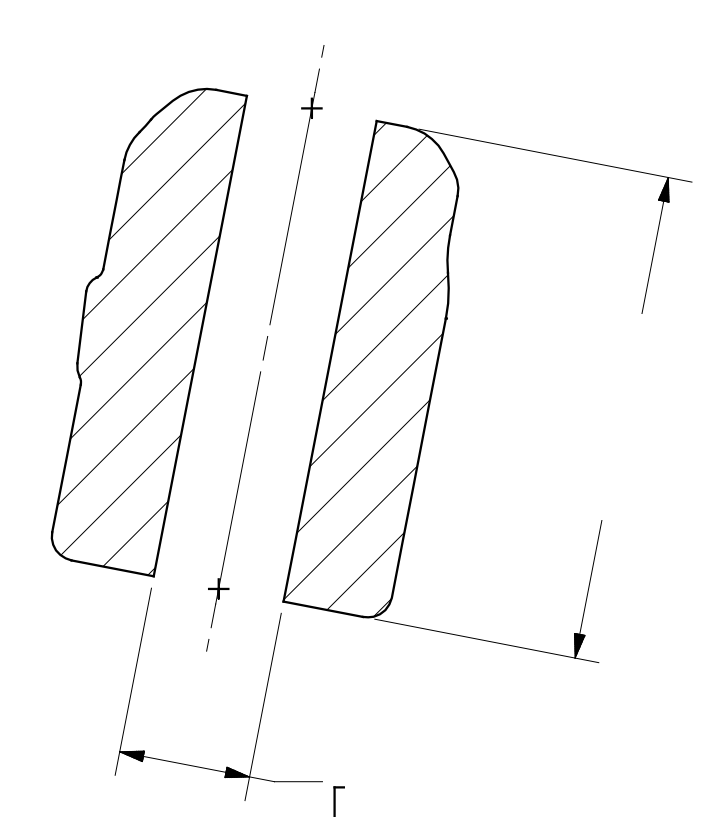


14 13 12 11 10 9 8 7 6 5 4 3

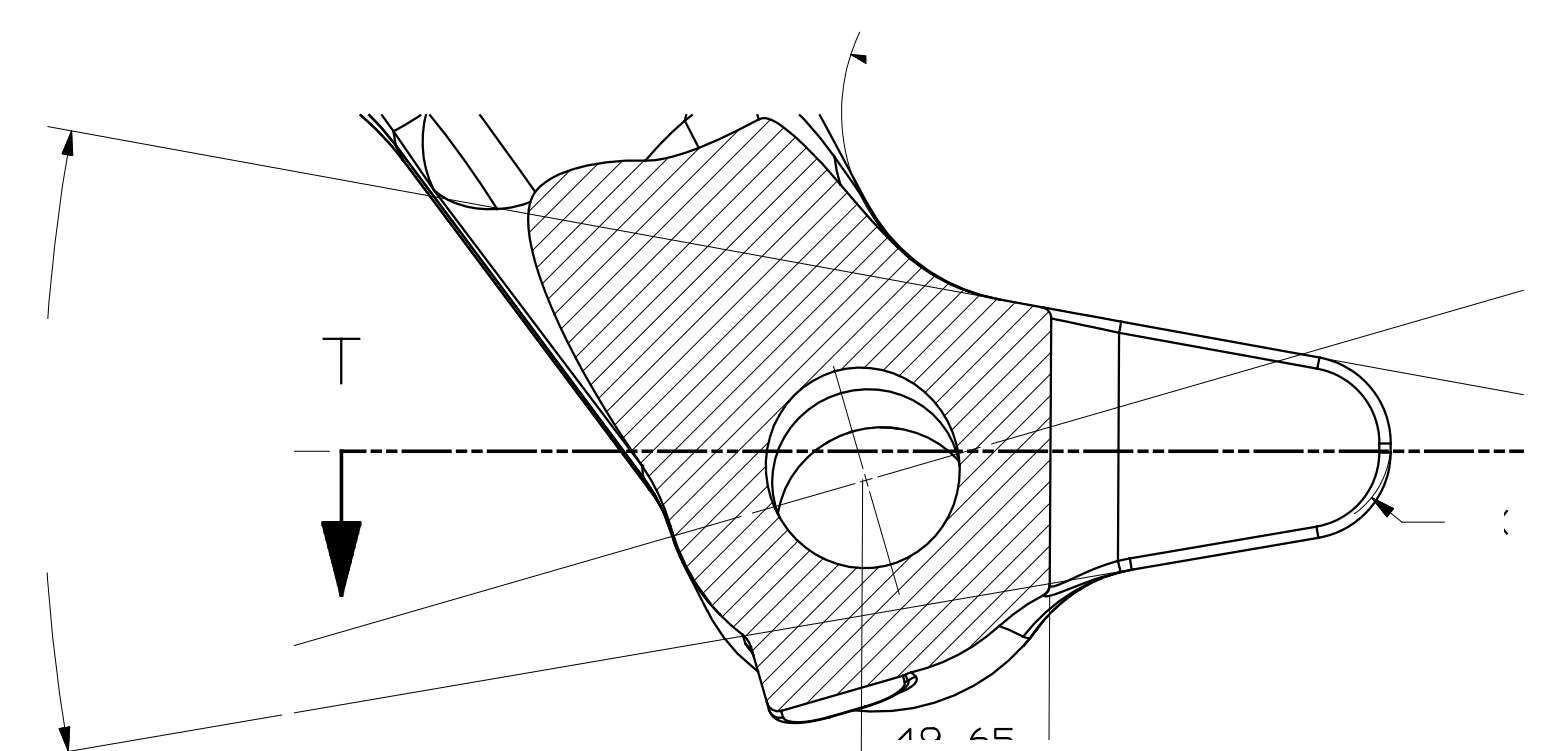
L
K
J
H
G
F
E
D
C
B
A



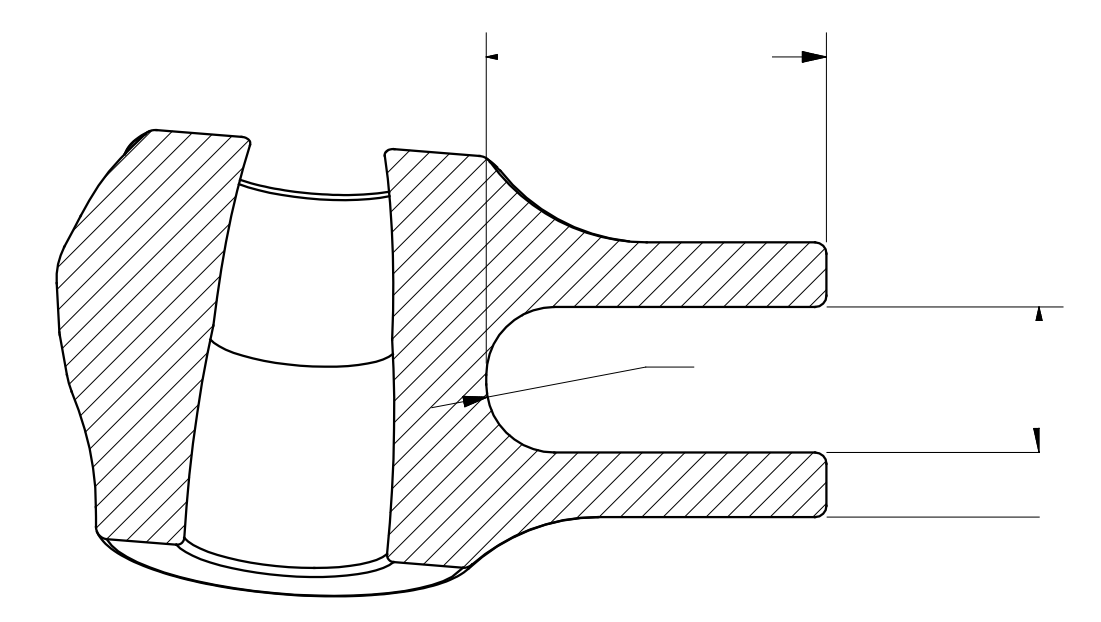
TRUE VIEW OF KING PIN AXIS



SECTION P-P



SEC'



CAD FILE	UNLESS OTHERWISE NOTED, DIMENSIONS
UPDATE ON	AND TOLERANCES ARE DEFINED IN
CAD SYSTEM	MILL METERS IN ACCORDANCE WITH
ONLY	ASME STANDARD Y14.5M - 1994
DATE:	SCALE:
D. SCHRAM 10-24-06 AS NOTED	ALL

IFS LH & RH UPRIGHT CASTING

068329-SHT001

REMARKS	REV
LH AS	D
RH OF	

14 13 12 11 10 9 8 7 6 5 4 3

L
K
J
H
G
F
E
D
C
B
A